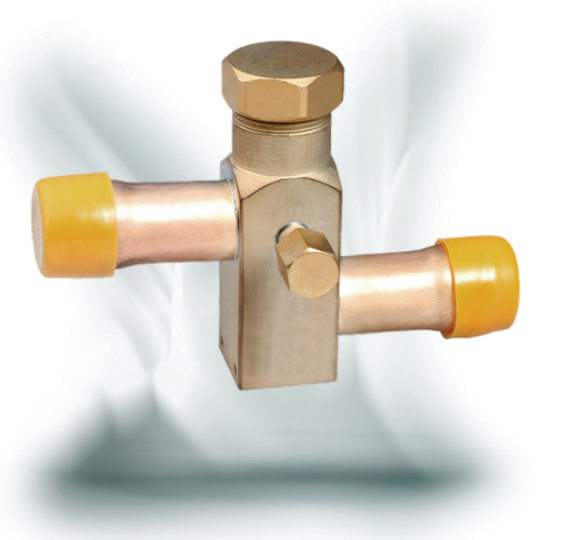


SANHUA *SMV SERIES*

Bar-Stock Service Valve



Bar-stock service valve can be used in split air conditioners to connect indoor unit and outdoor unit, which can close the inner passage of the valve by operating the valve stem; it can be used as service valve during maintenance for the purpose of vacuum pumping and refrigerant injection. It can also be used in other refrigerating systems.



FEATURES

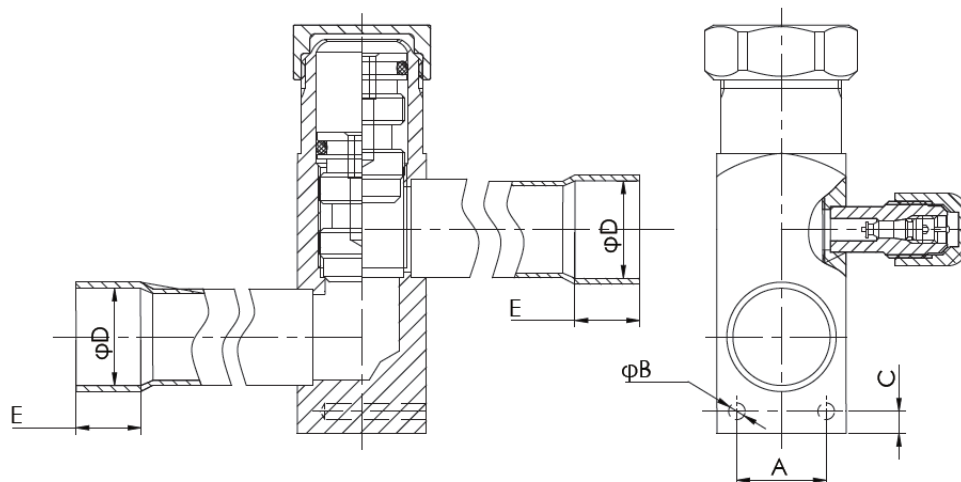
- COST-EFFECTIVE: UNIQUE METAL CAPTURE STRUCTURE, ENSURE HIGH QUALITY
- VARIOUS SQUARE SHAPES TO MEET SPECIAL INSTALLATION MODE AND FLOW REQUIREMENTS OF EQUIPMENT
- GOOD CONSISTENCY: SIMULTANEOUS WELDING OF MULTIPLE SPOTS BY TUNNEL FURNACE
- HIGH TESTING PRECISION: PRODUCTS ARE 100% H/HE INSPECTED

GENERAL SPECIFICATIONS

- Applicable refrigerant: R22, R134a, R407C, R410A etc.

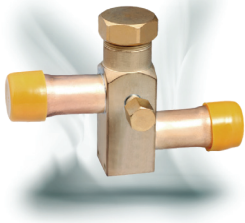
- Applicable medium temperature: $-30^{\circ}\text{C} \sim +120^{\circ}\text{C}$
- Maximum working pressure: 4.2MPa, 4.83 MPa for special square body valve
- Certification: UL

TECHNICAL PARAMETERS



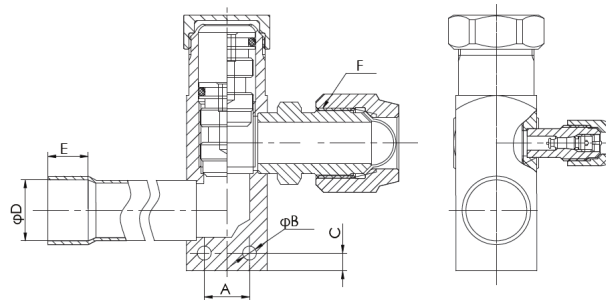
Solder Connection





SANHUA SMV SERIES Bar-Stock Service Valve

Type	Model	Copper tube Size in	Dimensions mm					Thread Size F
			A	B	C	D	E	
Solder Connection	SMV-JA3Y	3/8	10.6±0.5	3.6±0.10	3,6	9,6	8±1.0	/
	SMV-JA4Y	1/2	17.7±0.5	3.6±0.10	3,6	12,8	9.7±1.0	/
	SMV-JA5Y	5/8	17.7±0.5	3.6±0.10	3,6	15,95	14.2±1.0	/
	SMV-JA6Y	3/4	17.7±0.5	3.6±0.10	3,6	19,13	15.7±1.0	/
	SMV-JA7Y	7/8	17.7±0.5	3.6±0.10	3,6	22,33	19±1.0	/
	SMV-JA8Y	1	17.7±0.5	3.6±0.10	3,6	25,4	15±1.0	/
	SMV-JA9Y	9/8	17.7±0.5	3.6±0.10	3,6	28,8	15±1.0	/
	SMV-8JA3Y	3/8	10.6±0.5	3.6±0.10	3,6	9,6	8±1.0	/
	SMV-15JA4Y	1/2	17.7±0.5	3.6±0.10	3,6	12,8	9.7±1.0	/
	SMV-15JA5Y	5/8	17.7±0.5	3.6±0.10	3,6	15,95	14.2±1.0	/
	SMV-15JA6Y	3/4	17.7±0.5	3.6±0.10	3,6	19,13	15.7±1.0	/
	SMV-17JA7Y	7/8	17.7±0.5	3.6±0.10	3,6	22,33	19±1.0	/



Solder/Flare Nut

Type	Model	Copper tube Size in	Dimensions mm					Thread Size F
			A	B	C	D	E	
Solder / Flare Nut	SMV-JA3	3/8	10.6±0.5	3.6±0.10	3,6	9,6	8±1.0	5/8-18UNF
	SMV-JA4	1/2	17.7±0.5	3.6±0.10	3,6	12,8	9.7±1.0	3/4-16UNF
	SMV-JA5	5/8	17.7±0.5	3.6±0.10	3,6	15,95	14.2±1.0	7/8-14UNF
	SMV-JA6	3/4	17.7±0.5	3.6±0.10	3,6	19,13	15.7±1.0	1 1/16-14UNS
	SMV-JA7	7/8	17.7±0.5	3.6±0.10	3,6	22,33	19±1.0	1 1/16-14UNS
	SMV-8JA3	3/8	10.6±0.5	3.6±0.10	3,6	9,6	8±1.0	5/8-18UNF
	SMV-15JA4	1/2	17.7±0.5	3.6±0.10	3,6	12,8	9.7±1.0	3/4-16UNF
	SMV-15JA5	5/8	17.7±0.5	3.6±0.10	3,6	15,95	14.2±1.0	7/8-14UNF
	SMV-15JA6	3/4	17.7±0.5	3.6±0.10	3,6	19,13	15.7±1.0	1 1/16-14UNS
	SMV-17JA7	7/8	17.7±0.5	3.6±0.10	3,6	22,33	19±1.0	1 1/16-14UNS

