



Ball Valve

The ball valve of series CBVT is applicable for commercial CO₂ refrigeration applications in order to open and to shut off inner flow path by operating the valve stem. The ball valve of CBVT is applicable for transcritical CO₂ refrigeration systems and is a perfect choice for all similar CO₂ systems.



FEATURES

- STRAIGHTWAY TYPE, FULL PORT, LOW PRESSURE DROP – HIGH EFFICIENCY
- VALVE BODY WITH WELDED STRUCTURE – PRODUCT STRENGTH AND RELIABILITY
- ROTATE 1/4 CIRCLES FROM FULL-OPEN TO FULL-CLOSE – EASY AND FAST TO OPERATE
- BIDIRECTIONAL FLOW ¹⁾
- VALVE BODY AND CONNECTION TUBES ARE FULL STAINLESS STEEL – INCREASED STRENGTH AND HIGH CORROSION RESISTANCE
- BI-METAL CONNECTIONS - EASY AND FAST SOLDERING

Note:

1) CBVT valves fulfill internal tightness requirements of the standard EN12284, paragraph 9.6.3 in both flow directions.

Installations with shut off function to the atmosphere (just temporarily for service purpose): Please install the solder connection "B" at the airside. Please see solder connection "A" and "B" at the dimensional drawing page 3.

Remark: Welding body junction is always at solder connection "A"

GENERAL SPECIFICATIONS

- Applicable for R744 (CO₂)
- Medium temperature TS min./max.: -56°C / +150°C
- Max. operating pressure PS: 12 MPa (120 bar)
- Installation position: liquid, suction and discharge line in all directions
- Certifications: PED declaration





SANHUA *CBVT SERIES* Ball Valve

GENERAL CHARACTERISTICS

Model	Part Number ¹⁾	Connections Ød ODF		Kv [m ³ /h]	Wrench Size Cap [mm]	PED category
		[inch]	[mm]			
CBVT 02-001	10150079202	1/4	-	1,9	H24	4.3
CBVT 02-002	10150079902	-	6	1,9	H24	4.3
CBVT 03-001	10150079302	3/8	-	5,5	H24	4.3
CBVT 03-002	10150080002	-	10	5,5	H24	4.3
CBVT 04-001	10150079402	1/2	-	10,2	H24	4.3
CBVT 04-002	10150080102	-	12	10,2	H24	4.3
CBVT 05-002	10150079602	-	15	13,8	H24	4.3
CBVT 05-001	10150079502	5/8	16	13,8	H24	4.3
CBVT 06-001	10150079702	3/4	-	19,5	H27	4.3
CBVT 06-002	10150079802	-	18	19,5	H27	4.3
CBVT 07-001	10150077902	7/8	22	28,0	H27	4.3
CBVT 09-001	10150077802	1 1/8	-	51,5	H27	4.3
CBVT 09-002	10150080202	-	28	51,5	H27	4.3
CBVT 11-001	10150077602	1 3/8	35	80,0	H30	I
CBVT 13-001	10150075602	1 5/8	-	119,8	H32	I
CBVT 13-002	10150080302	-	42	119,8	H32	I

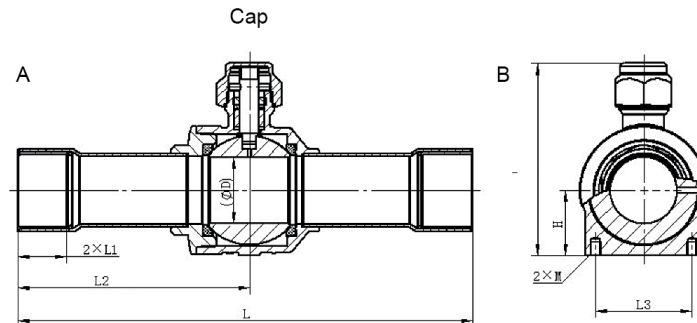
Note: 1) Extent of delivery: valve body and standard cap





SANHUA *CBVT SERIES* Ball Valve

DIMENSIONS



Model	L	L1	L2	L3	D	H	I	M	Weight
	[mm]	[mm]	[mm]	[mm]	[mm]	[mm]	[mm]	[mm]	[g]
CBVT 02-001	126	8	66,5	22	14	16,2	64	M4×0.7	268
CBVT 02-002	126	8	66,5	22	14	16,2	64	M4×0.7	269
CBVT 03-001	132	10	69,5	22	14	16,2	64	M4×0.7	273
CBVT 03-002	132	10	69,5	22	14	16,2	64	M4×0.7	274
CBVT 04-001	139	12	73	22	14	16,2	64	M4×0.7	283
CBVT 04-002	139	12	73	22	14	16,2	64	M4×0.7	284
CBVT 05-002	148	16	77,5	22	14	16,2	64	M4×0.7	287
CBVT 05-001	148	16	77,5	22	14	16,2	64	M4×0.7	300
CBVT 06-001	148	16	77	30	19	20,5	72	M4×0.7	443
CBVT 06-002	148	16	77	30	19	20,5	72	M4×0.7	420
CBVT 07-001	185	17	95	30	19	20,5	72	M4×0.7	478
CBVT 09-001	185	20	95	38	25	26	81,5	M4×0.7	683
CBVT 09-002	185	20	95	38	25	26	81,5	M4×0.7	680
CBVT 11-001	205	25	104,5	48	32	34	102	M6×1.0	1367
CBVT 13-001	260	29	132,5	55	38	37	109,5	M6×1.0	1891
CBVT 13-002	260	29	132,5	55	38	37	109,5	M6×1.0	1890