



Thermostatic Expansion Valve

RFKA series thermostatic expansion valves are used to adjust mass flow of refrigerant into the evaporator while controlling the refrigerant's superheat at the outlet of the evaporator. They can be used for various refrigerants under all working conditions. Possible applications are refrigeration systems like freezers, ice makers, dehumidifiers as well as air conditioners and heat pumps at various evaporation temperature ranges.



FEATURES

- THERMAL BULB UTILIZES CROSS CHARGE TECHNOLOGY, PROVIDING EQUAL SUPERHEAT DEGREE OVER THE WHOLE EVAPORATION TEMPERATURE RANGE
- THERMAL BULB UTILIZES CROSS INJECTION TECHNOLOGY, AND THE WHOLE VAPORIZING TEMPERATURE RANGE SHARE THE SAME SUPERHEAT DEGREE
- VALVES WITH MOP FUNCTION CAN BE PROVIDED TO PREVENT DAMAGES TO COMPRESSOR MOTOR CAUSED BY EXCESSIVE EVAPORATION PRESSURE
- WIDE VAPORIZING TEMPERATURE RANGE
- STABLE PERFORMANCE OF SUPERHEAT ADJUSTMENT

GENERAL SPECIFICATIONS

- Applicable for all common HCFC and HFC refrigerants such as: R22, R134a, R407C, R507
- Applicable medium temperature: -40°C~ +70°C
- Applicable ambient temperature: -35°C~+55°C
- Relative humidity: 0~100%RH
- Maximum working pressure: 3.5MPa
- Certifications: PED

TECHNICAL PARAMETERS

- RFKA series angle shape valve
- Inlet 3/8" flare connection
- Capillary tube length 1,5m
- Equalization port:
 - RFKA flare/flare type with 1/4" flare connection
 - RFKA flare/solder type with 6mm solde connection

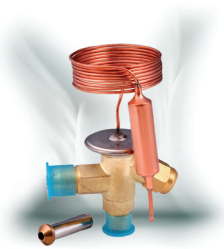


SANHUA *RFKA SERIES*

Thermostatic Expansion Valve

TECHNICAL PARAMETERS

Refrigerant	Model	Part number	Connection type	Temp. Range	MOP	Outlet size	
			In / Out / Ext.	[°C]	[°C]	flare	solder
						[inch]	[mm]
R22	RFKA01-4.8-22	RFK-24001	flare / flare	-40 to +10	--	1/2	
	RFKA01E-4.8-13	RFK-24002	flare / flare / flare	-40 to +10	--	1/2	
	RFKA01-4.8-26	RFK-24003	flare / solder	-40 to +10	--		12
	RFKA01E-4.8-06	RFK-24004	flare / solder / solder	-40 to +10	--		12
	RFKA01-4.8-07	RFK-24005	flare / solder	-40 to +10	--	1/2	
	RFKA01E-4.8-08	RFK-24006	flare / solder / solder	-40 to +10	--	1/2	
R407C	RFKA02-5.2-24	RFK-24007	flare / flare	-40 to +10	--	1/2	
	RFKA02E-5.2-20	RFK-24008	flare / flare / flare	-40 to +10	--	1/2	
	RFKA02-5.2-27	RFK-24009	flare / solder	-40 to +10	--		12
	RFKA02E-5.2-28	RFK-24010	flare / solder / solder	-40 to +10	--		12
	RFKA02-5.2-32	RFK-24011	flare / solder	-40 to +10	--	1/2	
	RFKA02E-5.2-18	RFK-24012	flare / solder / solder	-40 to +10	--	1/2	
R404A / R507	RFKA03-3.4-21	RFK-24013	flare / flare	-40 to +10	--	1/2	
	RFKA03E-3.4-15	RFK-24014	flare / flare / flare	-40 to +10	--	1/2	
	RFKA03-3.4-03	RFK-24015	flare / solder	-40 to +10	--		12
	RFKA03E-3.4-02	RFK-24016	flare / solder / solder	-40 to +10	--		12
	RFKA03-3.4--09	RFK-24017	flare / solder	-40 to +10	--	1/2	
	RFKA03E-3.4-10	RFK-24018	flare / solder / solder	-40 to +10	--	1/2	
R134a	RFKA04-4.0-23	RFK-24019	flare / flare	-40 to +10	--	1/2	
	RFKA04E-4.0-19	RFK-24020	flare / flare / flare	-40 to +10	--	1/2	
	RFKA04-4.0-29	RFK-24021	flare / solder	-40 to +10	--		12
	RFKA04E-4.0-17	RFK-24022	flare / solder / solder	-40 to +10	--		12
	RFKA04-4.0-30	RFK-24023	flare / solder	-40 to +10	--	1/2	
	RFKA04E-4.0-31	RFK-24024	flare / solder / solder	-40 to +10	--	1/2	



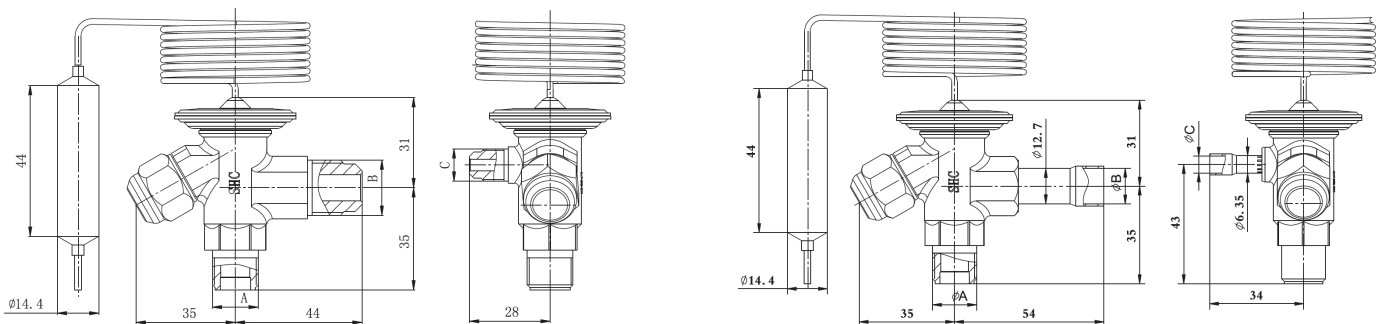
SANHUA RFKA SERIES Thermostatic Expansion Valve

NOMINAL CAPACITY

No.	Nominal Capacity in kW				Valve orifice Model	Valve orifice Part number
0X	0,5	0,5	0,35	0,33	RFKA-023-0X	RFK-24036
0	1,1	1,1	0,7	0,68	RFKA-023-00	RFK-24037
1	2,5	2,7	1,7	1,6	RFKA-023-01	RFK-24038
2	3,5	3,9	2,4	2,2	RFKA-023-02	RFK-24039
3	5,6	6,3	3,9	3,5	RFKA-023-03	RFK-24040
4	8,1	8,8	5,6	4,9	RFKA-023-04	RFK-24041
5	10,6	11,3	7,4	6,7	RFKA-023-05	RFK-24042
6	16,9	18,3	12	10,6	RFKA-023-06	RFK-24043
0X	R22	R407C	R404A / R507C	R134a	RFKA-023-0X	RFK-24036

Note: Nominal capacity at $t_{ev} = 5^{\circ}\text{C}$, $t_c = 38^{\circ}\text{C}$, operating superheat 4K and subcooling 4K.

DIMENSIONS



Inlet A	Nominal Capacity in kW				External Equalization C		
	Thread	Thread	Solder ODF		Thread	Solder ODF	
	[inch]	[inch]	[mm]	[inch]	[inch]	[mm]	[inch]
3/8	1/2	12			1/4	6	
				1/2			

Note: Version with Solder ODF in inch sizes for Outlet B and for External Equalization C on request.

